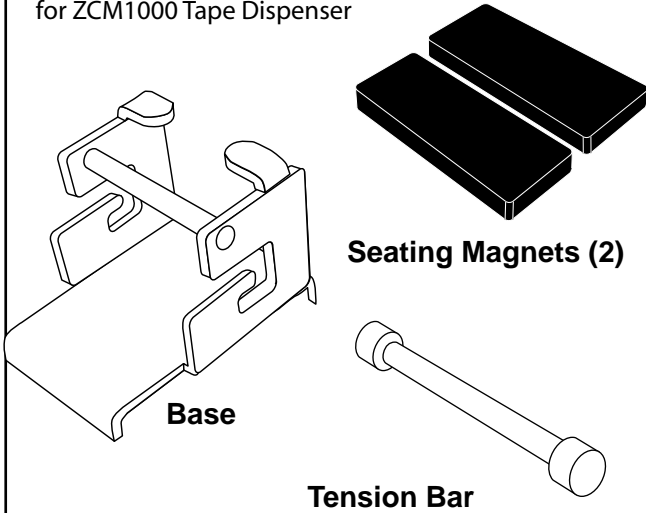


# ITEMS INCLUDED

## PO25

### Liner Remover

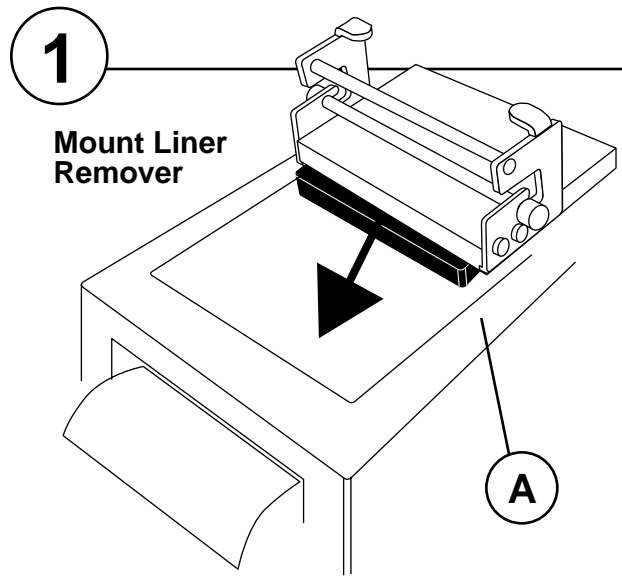
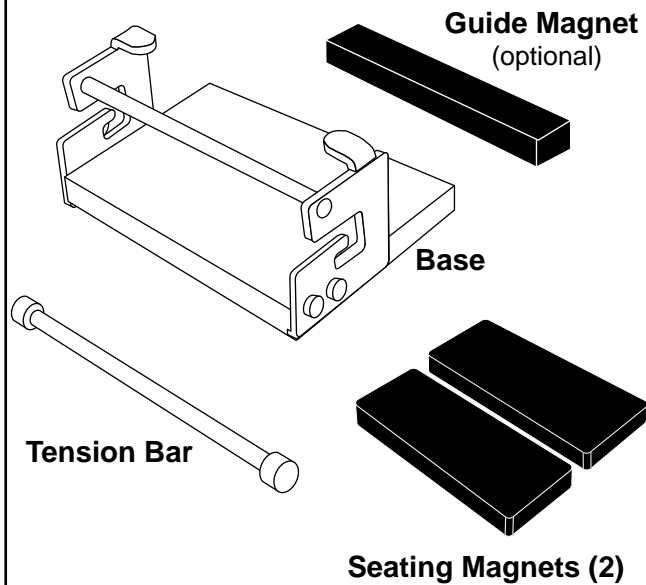
for ZCM1000 Tape Dispenser



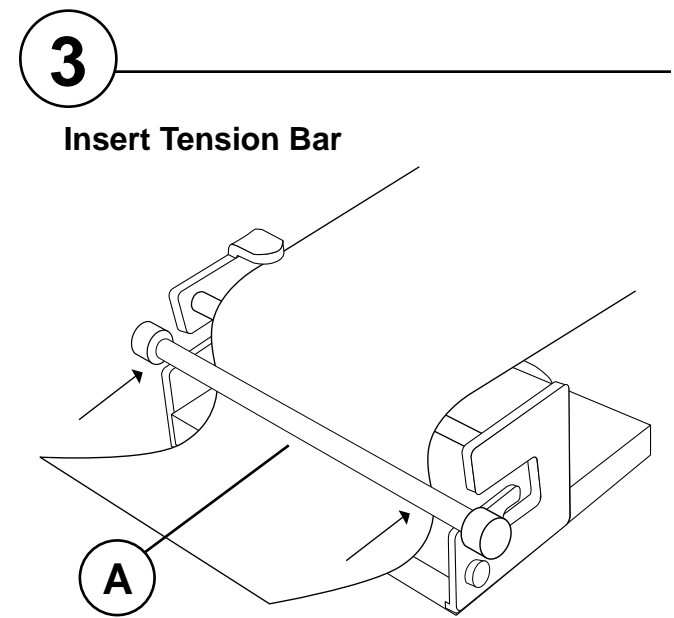
## PO50

### Liner Remover

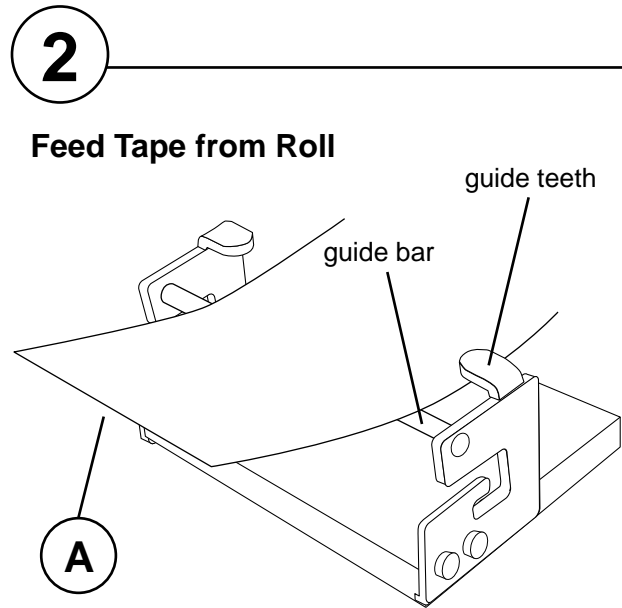
for TDA080 Tape Dispenser



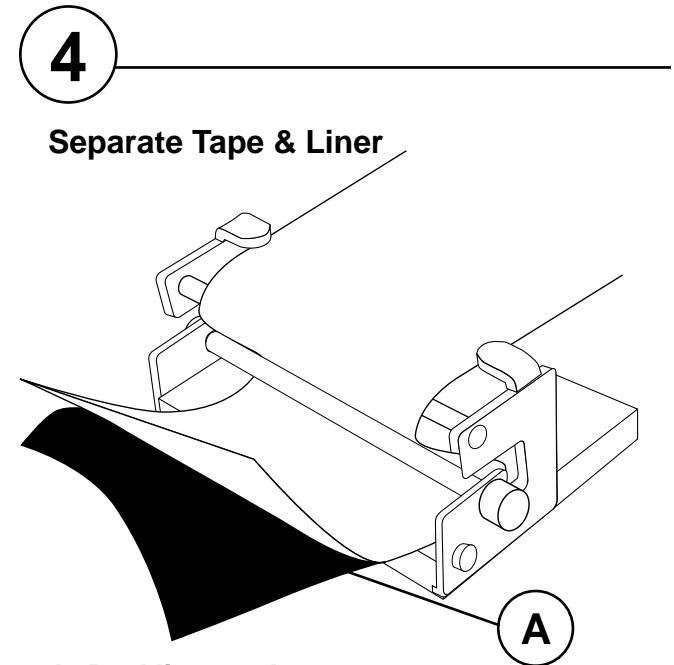
**A:** Mount base on seating magnets and set into tape dispenser



**A:** Slide tension bar into locking slot over tape



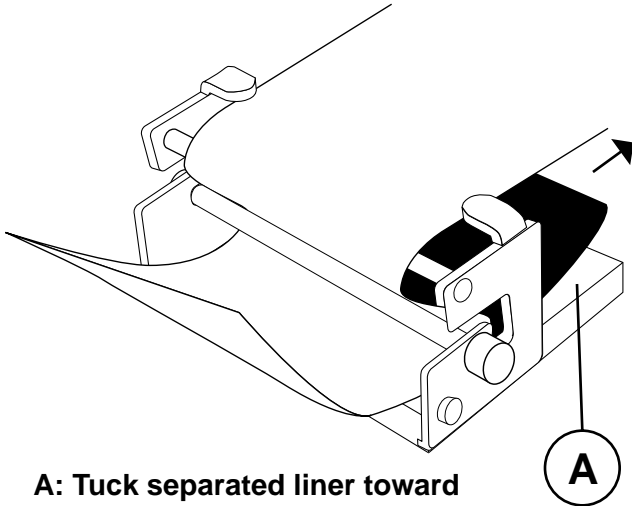
**A:** Feed tape + liner under the guide teeth and over the guide bar.



**A:** Peel liner and tape apart

5

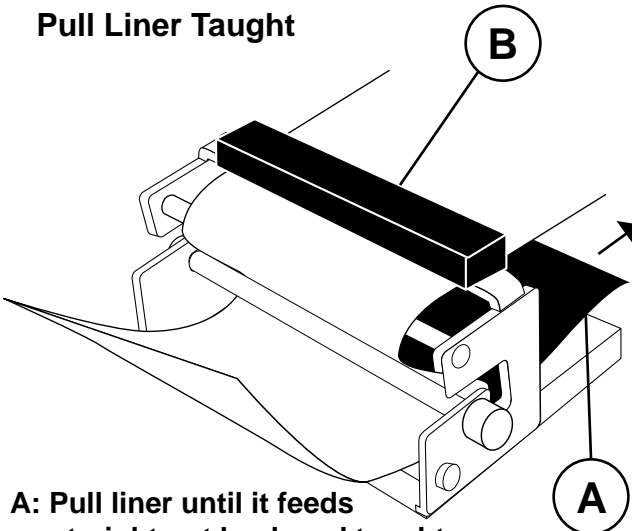
Feed Liner Towards Back



A: Tuck separated liner toward the back of the unit

6

Pull Liner Taught

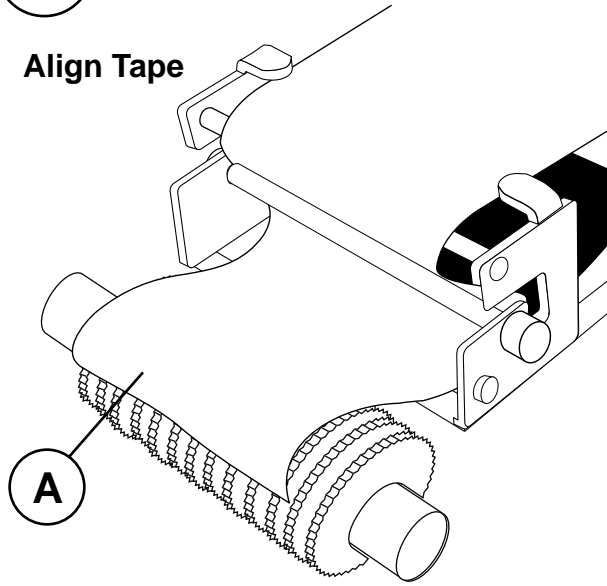


A: Pull liner until it feeds straight out back and taught

B: Place guide magnet (optional) on top

7

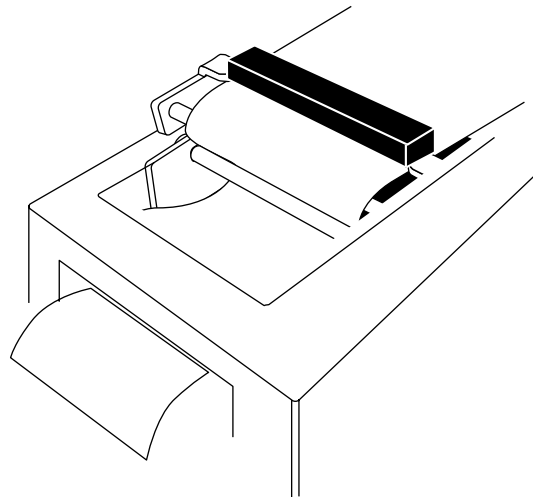
Align Tape



A: Affix adhesive tape onto tape dispenser feed roller

8

Set-up is complete.

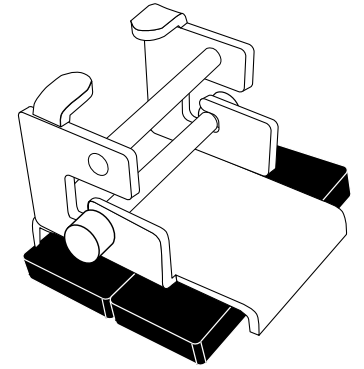


Need more help? Download the full manual or contact us

Quick Start Guide

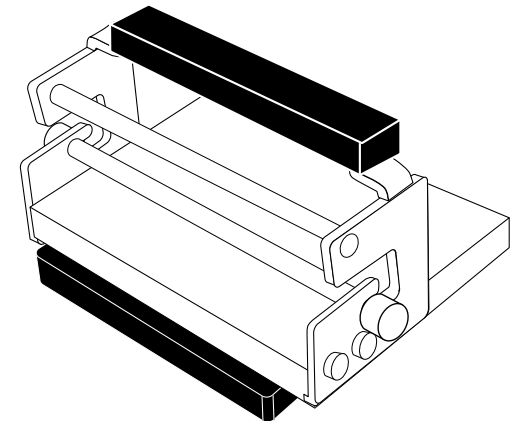
P025

Liner Remover  
for ZCM1000 Tape Dispenser



P050

Liner Remover  
for TDA080 Tape Dispenser



START<sup>®</sup>  
International

4270 Airborn Dr. Addison, TX 75001, USA  
972.248.1999 | tech@startinternational.com

startinternational.com