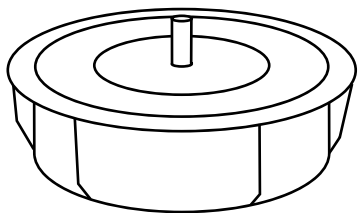
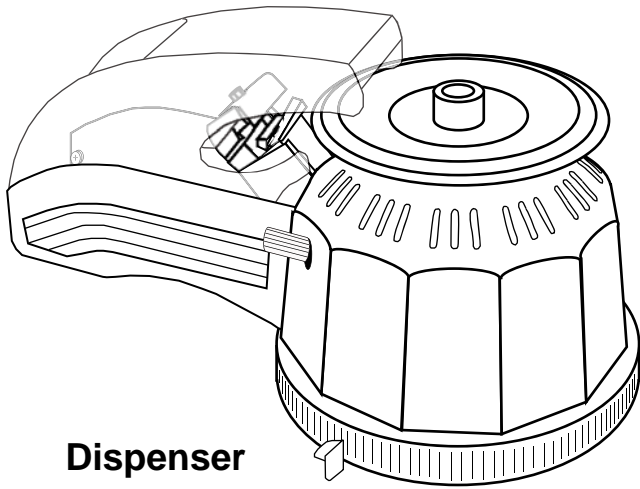


**TDA025**

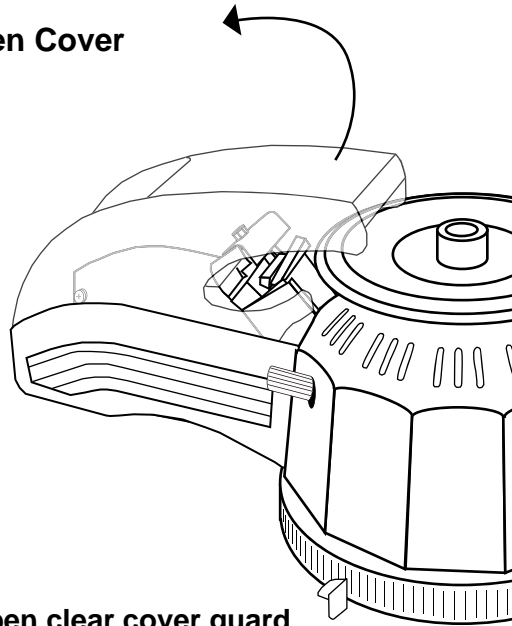
**Electric Tape Dispenser**

**ITEMS INCLUDED**



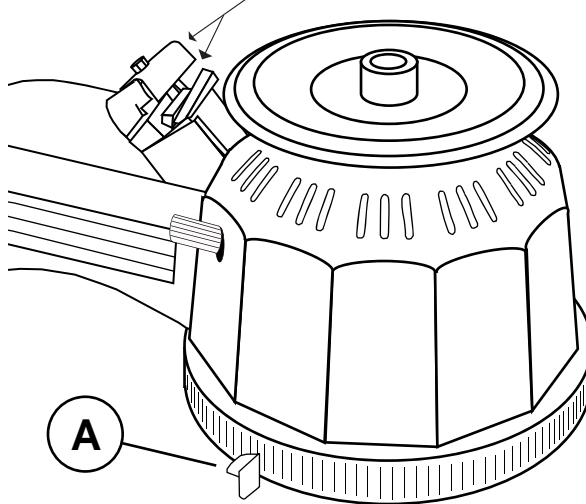
**Tape Core**

**1** Open Cover



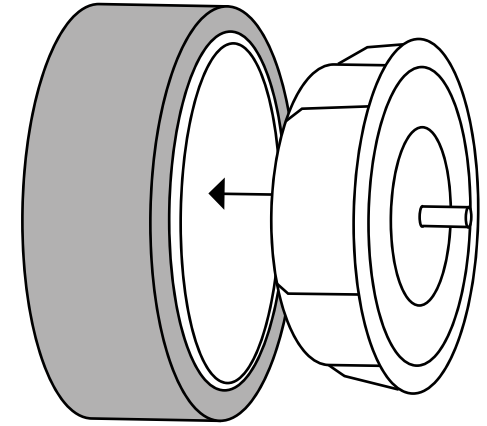
**A:** Open clear cover guard

**2** Adjust Cutting Head



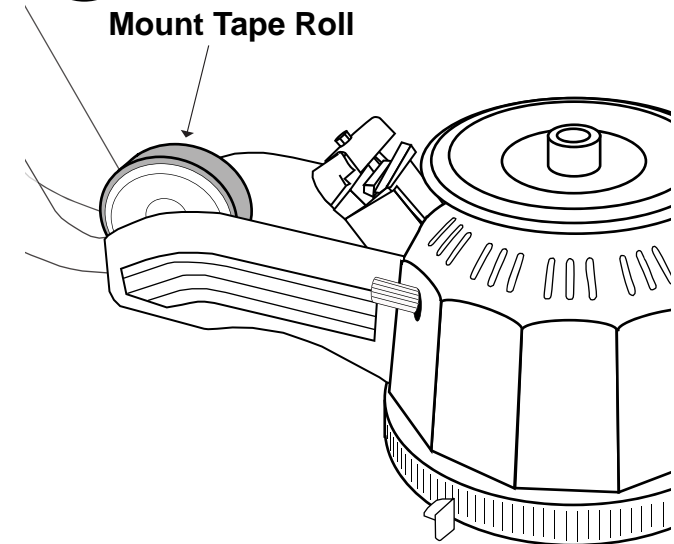
**A:** Adjust Bottom Lever until Cutting Head is all the way back and open

**3** Load Tape Roll



**A:** Load your roll of tape onto the tape core

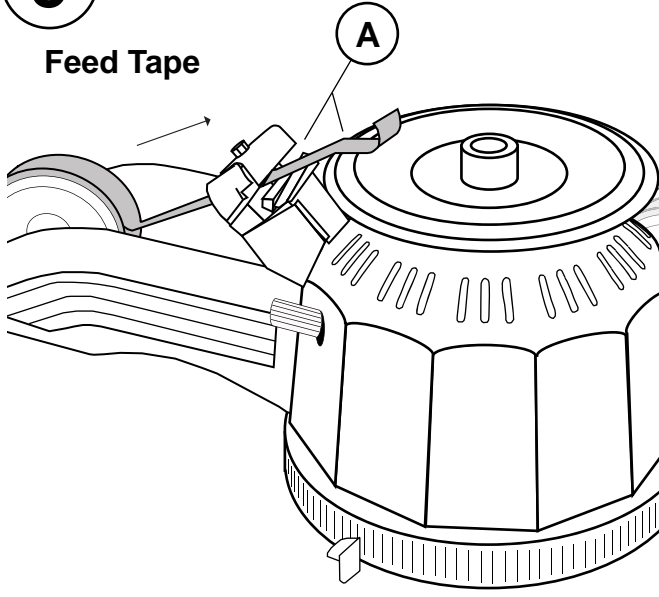
**4** Mount Tape Roll



**A:** Place loaded core onto machine

5

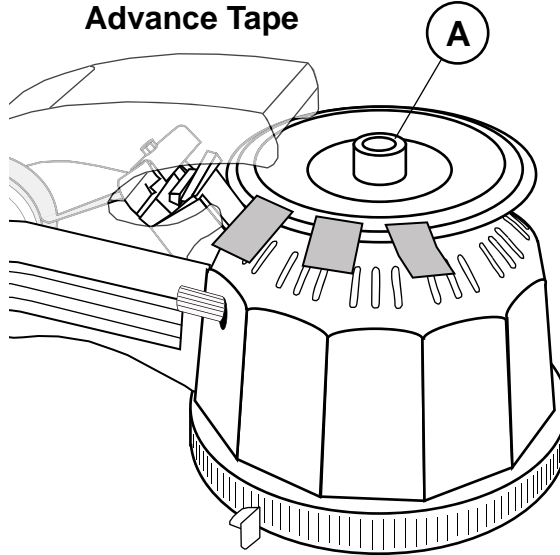
Feed Tape



A: Feed tape through Cutting Head and affix to Carousel

7

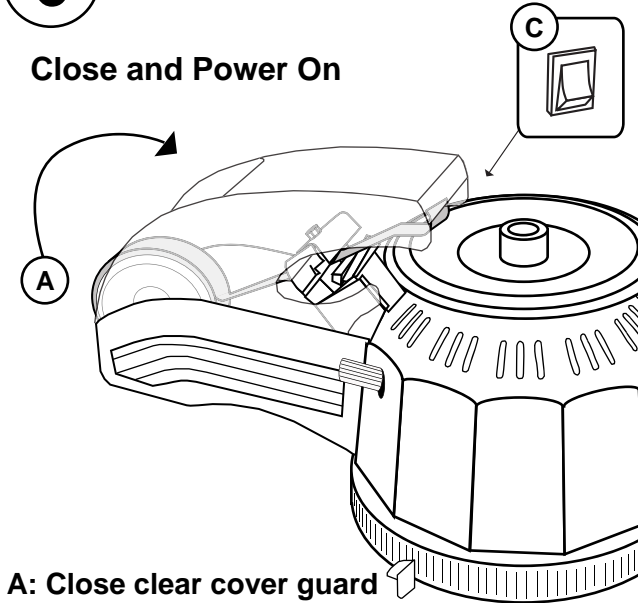
Advance Tape



A: Press advance button, on top center, to dispense tape

6

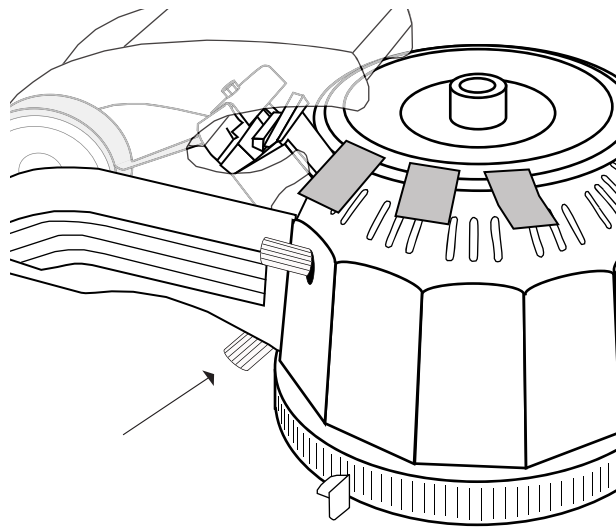
Close and Power On



A: Close clear cover guard  
B: Plug power source into wall outlet  
C: Press power switch to turn on

8

Adjust Tape Cut Length



A: For longer tape turn knob to the left, for shorter turn to the right.

TDA025

# Quick Start Guide



4270 Airborn Dr. Addison, TX 75001, USA  
972.248.1999 | tech@startinternational.com

Need more help? Download the full manual or contact us → [startinternational.com](http://startinternational.com)