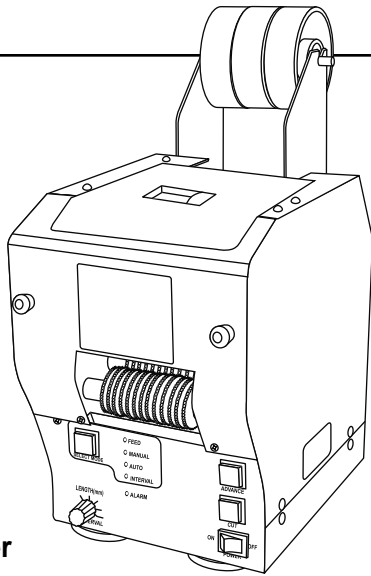


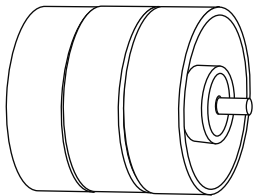
# TDA080

## Electric Tape Dispenser

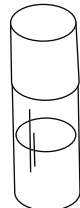
### ITEMS INCLUDED



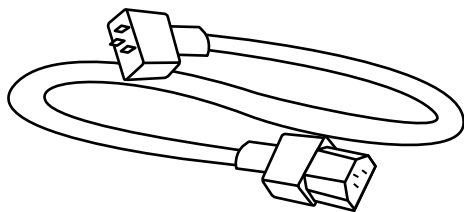
Dispenser



Core Holder



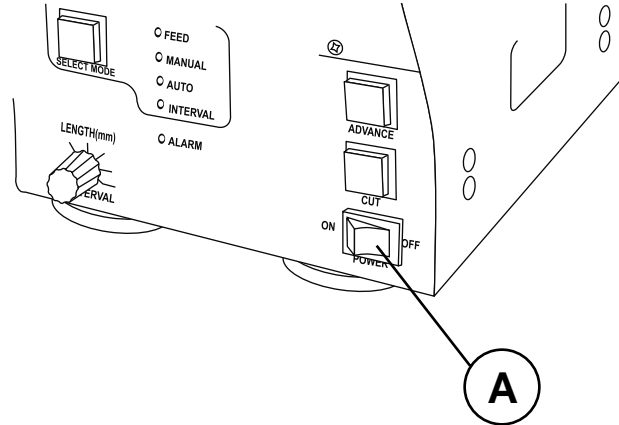
Silicon Oil



Power Cord

1

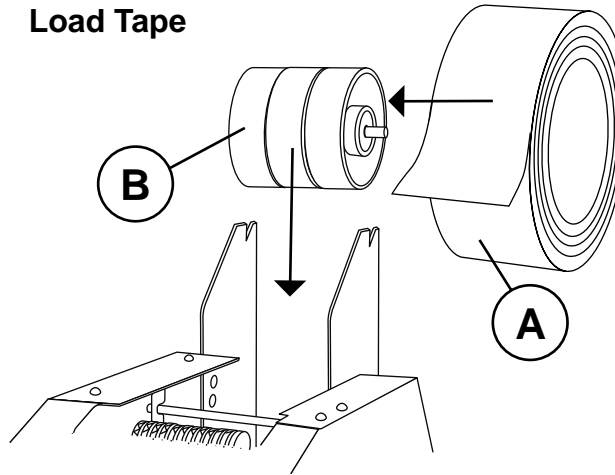
Power Off



A: Ensure power button is set to off

2

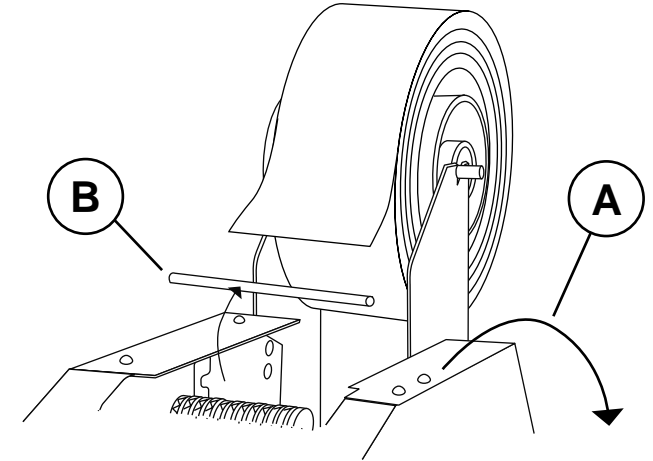
Load Tape



A: Slide tape roll onto core holder  
B: Place loaded core on holding bracket

3

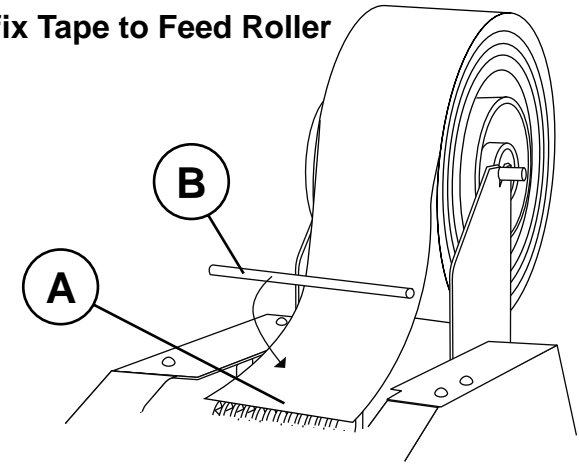
Open Top Panel



A: Open top door panel  
B: Remove tape shaft from unit

4

Affix Tape to Feed Roller



A: Affix tape onto feed roller  
B: Re-insert tape shaft into guide

**TDA080 (NM & K Models)**

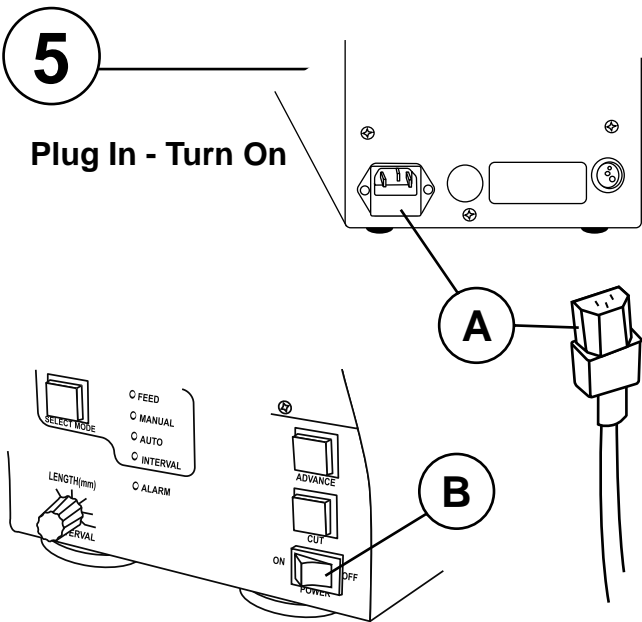


**Quick Start Guide**

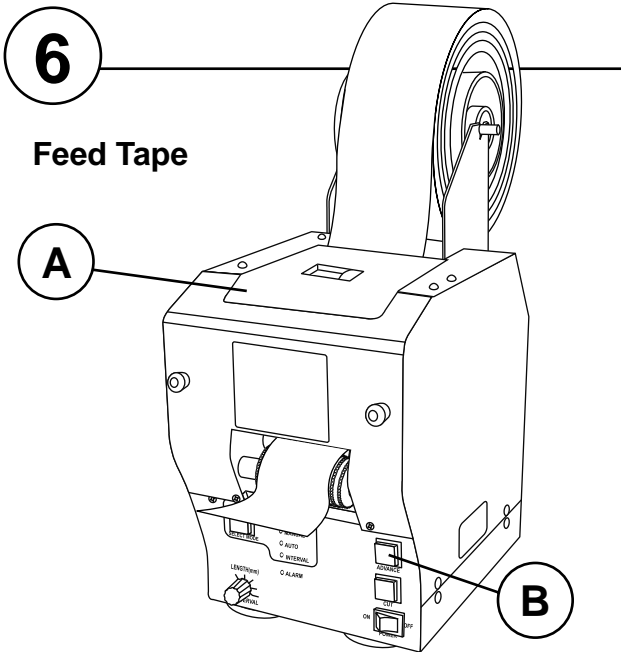


4270 Airborn Dr. Addison, TX 75001, USA  
972.248.1999 | tech@startinternational.com

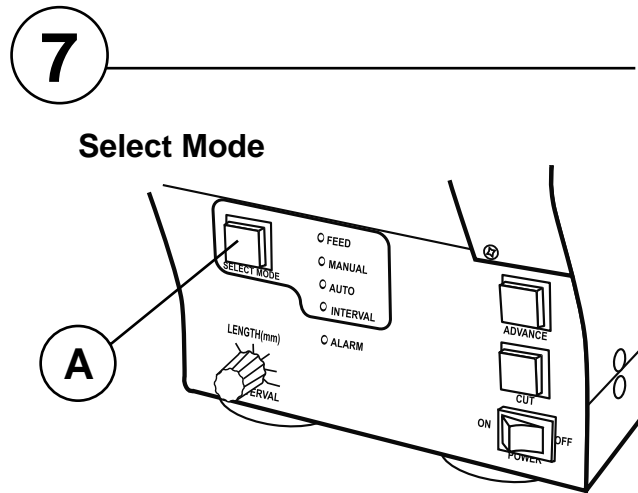
▶ [startinternational.com](http://startinternational.com)



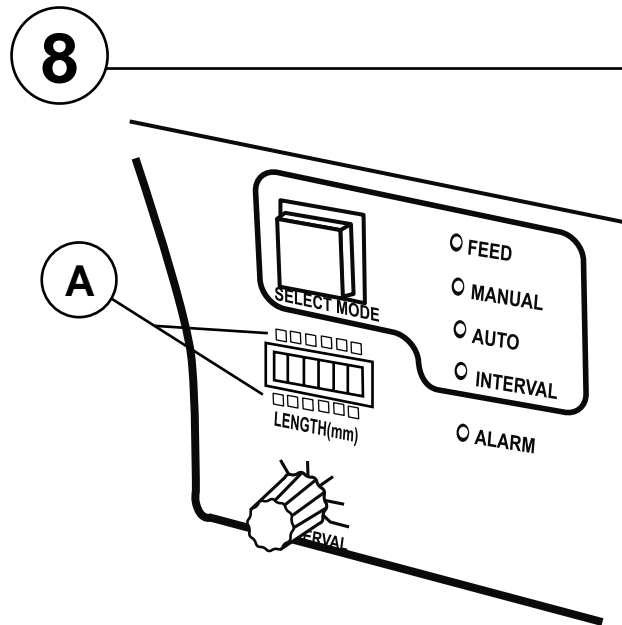
**A:** Connect power cord (in back)  
**B:** Press power switch (on front) to turn on the machine



**A:** Close top panel door  
**B:** Press advance button to feed tape



**A:** Choose desired operation mode:  
- FEED  
- MANUAL (feed & cut)  
- AUTO (feed & cut)  
- INTERVAL (feed & cut)



**A:** Set desired tape length (mm) by pushing up or down buttons

Need more help? Download the full manual or contact us